



INSTRUCTION MANUAL

Interior Temporary Safety System

Note:

Before using this 2 pc Interior Temporary Safety System, carefully read through this INSTRUCTION MANUAL to ensure efficient, safe operation. It is recommended that this MANUAL be kept readily available as an important reference when using this 2 pc Interior Temporary Safety System.

SAVE THESE INSTRUCTIONS

LEGAL DISCLAIMER

DANGER! READ BEFORE USE!

SafeBild safety systems are designed and tested to meet the requirements of specific applications. Failure to follow the detailed installation and disassembly procedures provided within this INSTRUCTION MANUAL could result in serious injury, bodily harm, or death.

USE ONLY THE SPECIFIED FASTENERS AND MATERIALS DESCRIBED IN THIS MANUAL.

Since the conditions and methods of use of the product are contained within this INSTRUCTION MANUAL, SafeBild expressly disclaims any and all liability as to any incident arising from any misuse or modification of SafeBild **products, installation procedures or required fasteners and materials.**

Installing Your SafeBild Interior Temporary Safety System

Installation:

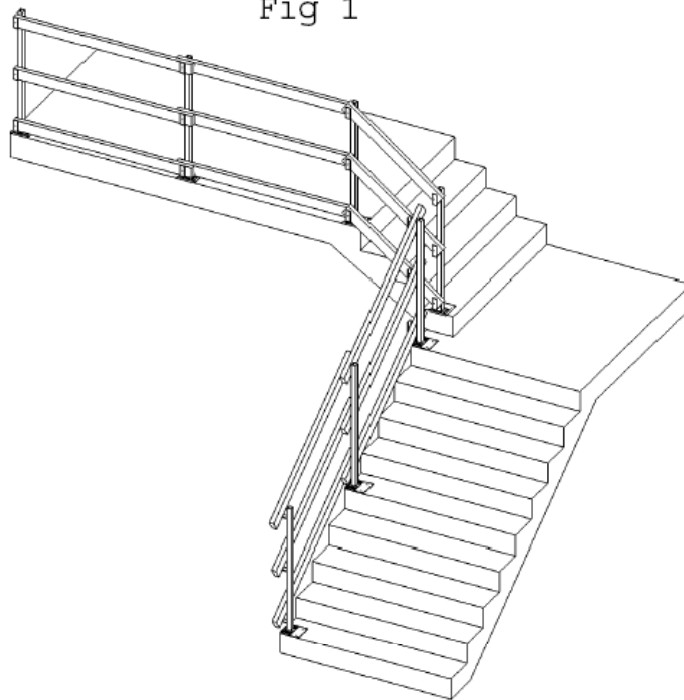
Generic Floor Post (part no. SB2010)

SafeBild's generic interior floor post has been designed and tested to be installed on min 5/8" T&G chip board or solid wood along open staircases and other openings that may pose a risk of falling during construction.

The generic post is affixed to the floor sheathing along the opening as needed using **eight (8) #8-1 ¼" coarse thread plywood/particle board screws** supplied by SafeBild without need of fastening into a floor joist. See Fig 1.

The use of any fasteners other than that supplied by SafeBild for this specific application will disclaim SafeBild from any and all liability.

Fig 1



Be sure that a post is installed at both ends of every open edge(See Fig 2), and that each post be no more than 84" apart from another post (Based on 6" overlap past post on either side of standard 2"x4" x8' dimensional lumber). See Fig 3.

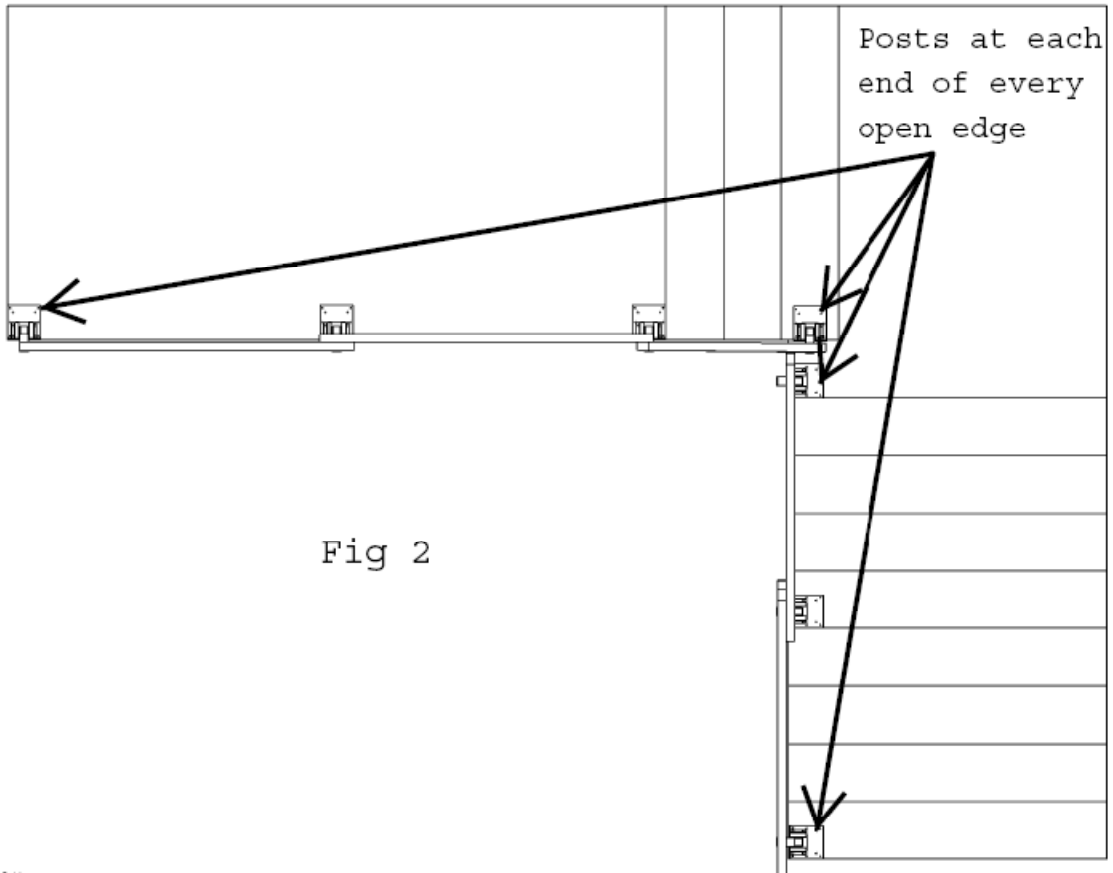
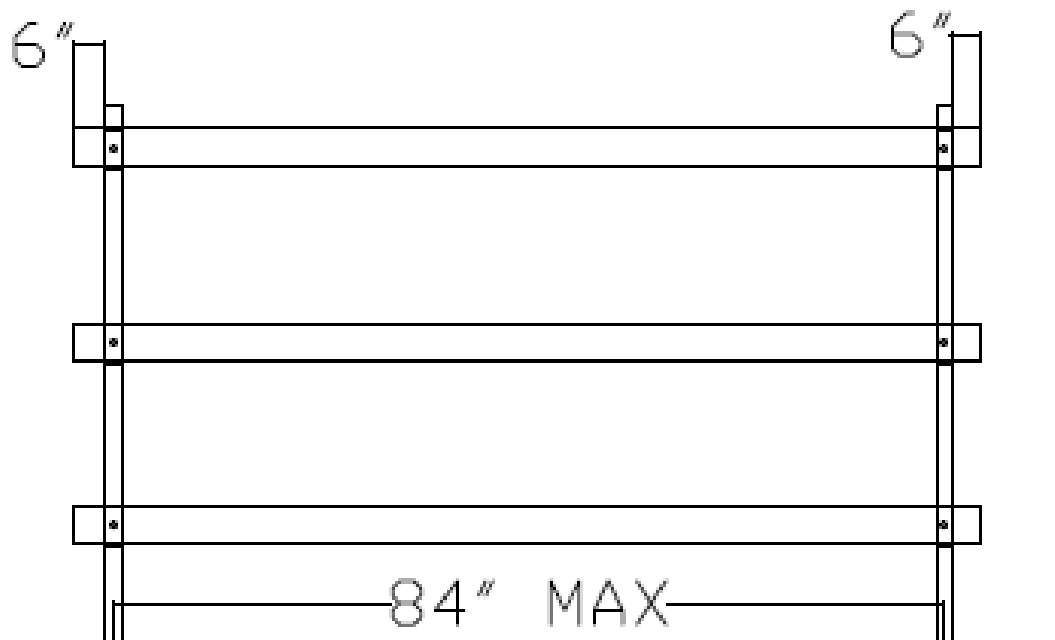


Fig 3



Step 3:

Insert 2"x4"x96" dimensional lumber or pieces of desired length into the upper cradle bracket across two (2) posts. Repeat for middle and lower cradle bracket forming a completed section of safety system. Overlap dimensional lumber at each post 6" or more. Use 2"x 4"x 6" blocks at each end post to secure the dimensional lumber in the cradle bracket.

Step 4:

Fasten the wood rails to the posts using common 3" wood screws or 3" spiral nails through the holes on the cradle bracket.

Note: Screws provide for quick disassembly.



For more information about SafeBild and its products visit **www.SafeBild.com**

Bradford, ON

Contact Us

Tel: 289-338-3119

Email: info@safebild.com