



# **INSTRUCTION MANUAL**

## **Exterior Temporary Safety System**

**Note:**

Before using this Exterior Temporary Safety System, carefully read through this INSTRUCTION MANUAL to ensure efficient, safe operation. It is recommended that this MANUAL be kept readily available as an important reference when using this Exterior Temporary Safety System.

**SAVE THESE INSTRUCTIONS**

## **LEGAL DISCLAIMER**

### **DANGER! READ BEFORE USE!**

SafeBild safety systems are designed and tested to meet the requirements of specific applications. Failure to follow the detailed installation and disassembly procedures provided within this INSTRUCTION MANUAL could result in serious injury, bodily harm, or death.

**USE ONLY THE SPECIFIED FASTENERS AND MATERIALS DESCRIBED IN THIS MANUAL.**

Since the conditions and methods of use of the product are contained within this INSTRUCTION MANUAL, SafeBild expressly disclaims any and all liability as to any incident arising from any misuse or modification of SafeBild **products, installation procedures or required fasteners and materials.**

# Installing Your SafeBild Exterior Temporary Safety System

## Installation:

SafeBild's exterior temporary safety system can be installed using two (2) methods, both ending in the same result.

### Step 1:

After constructing the 1<sup>st</sup> floor wall (or higher), prior to wall erection affix the mounting plate to the top plate of the wall using at least six (6) 3" bright spiral nails (Fig 1) illustrates nailing pattern).

Be sure that each mounting plate is no more than 84" away from another mounting plate (Based on 6" overlap past post on either side of standard 2" x 4"x8' dimensional lumber. (See Fig 2)

Fig 1

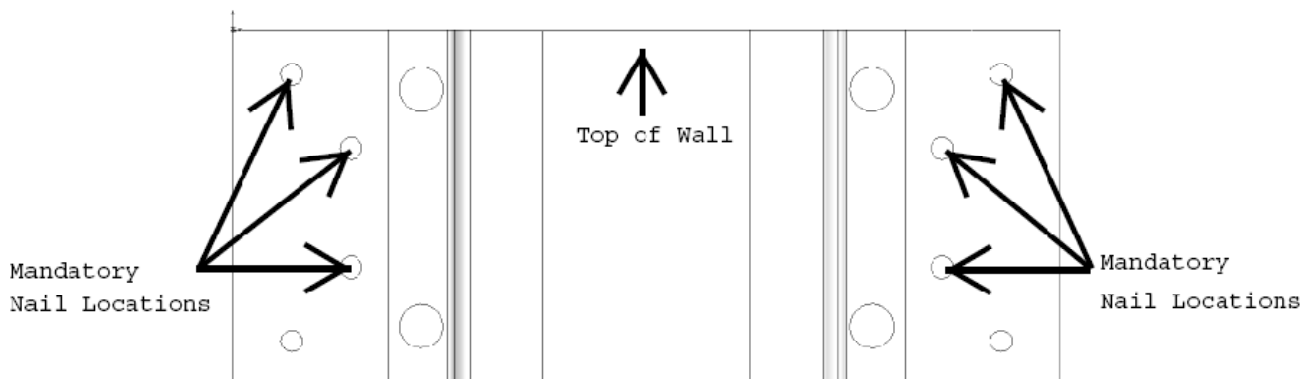
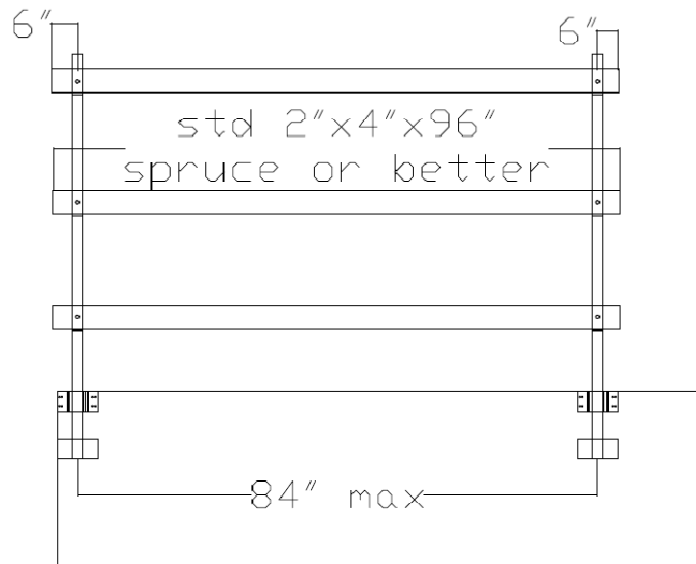


Fig 2



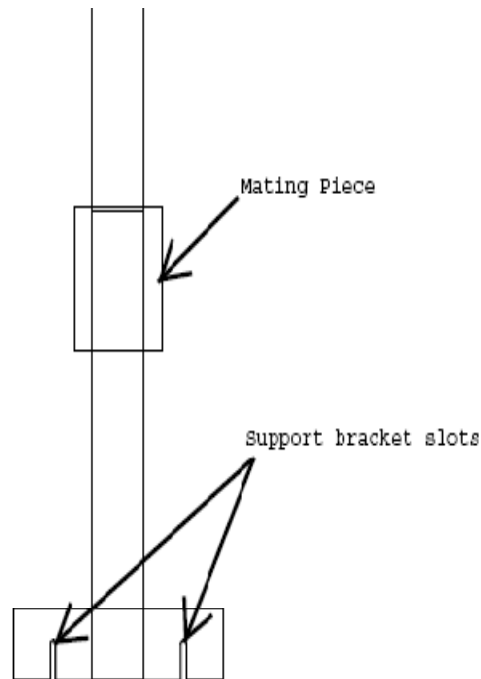
A mounting plate **must** be placed at both ends of each wall section.

Completed installation of safety system (including 2\"x 4\" and post) can be done before or after walls are erected. **If completing installation after the walls are erected Skip to Step 4.**

### **Step 2:**

After affixing the mounting plates in the proper locations, engage the posts into the mounting plates by sliding the mating piece on the post into the slot on the mounting plate.

Fig 3



Using #8 – 1 ¼” wood screws (full thread), snugly screw the support bracket to wall through the slots. **If using nails**, make sure one (1) slot on the support bracket is fastened to a stud. This may require *organization* of mounting plate *locations* across the top of the wall section.

By snugly fastening the support bracket to the wall section, the railing is supported by the wall during erection. **Failure to fasten the supporting bracket to the wall will result in an unstable railing system, possibly causing damage/injury. Over tightening of the support bracket may make it difficult to remove the posts from position when required.**

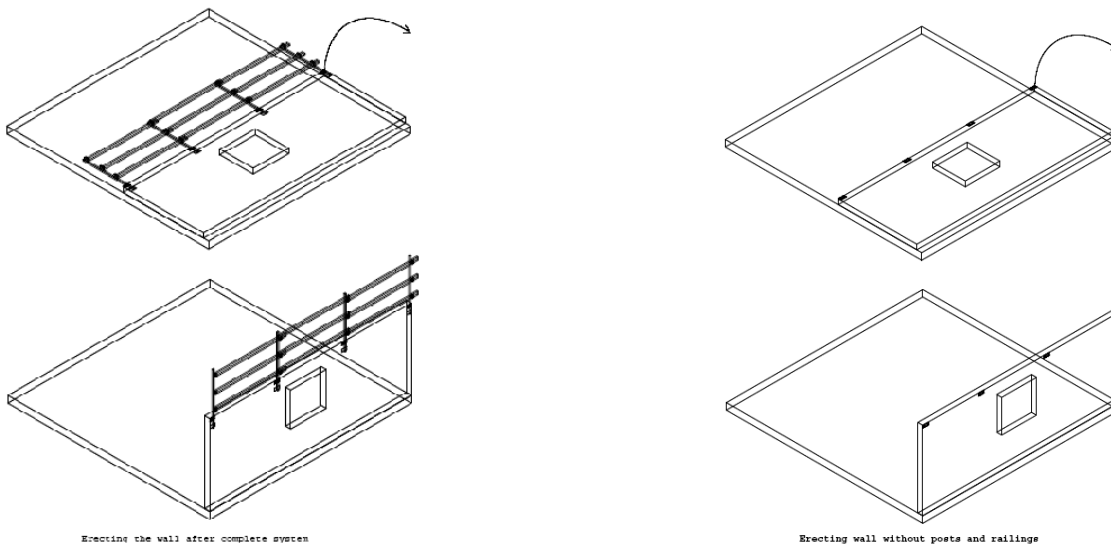
### **Step 3:**

Insert 2"x 4"x 96" dimensional lumber into the upper cradle bracket across two (2) posts. Repeat for middle and lower cradle bracket forming a completed section of safety system. Overlap dimensional lumber at each post 6" or more. Use 2"x 4"x 6" blocks at each end post to secure the dimensional lumber in the cradle bracket.

### **Step 4:**

Erect the wall section. See **Fig 4**.

Fig 4



If completing installation of the posts and rails after the wall is erected continue to Step 5. Otherwise, installation is **complete**.

### **Step 5:**

After erecting the wall, lock the posts into place by inserting the mating piece on the post into the slot on the mounting plate.

Finish the railing off by inserting 2"x4"x96" dimensional lumber into the upper cradle bracket across two (2) posts. Repeat for middle and lower cradle bracket forming a completed section of safety system. Overlap dimensional lumber at each post 6" or more. Use 2"x 4"x 6" blocks at each end post to secure the dimensional lumber in the cradle bracket.

Installation is complete.

## **Disassembly Procedure**

**Make sure that when working near a section of safety railing that has been removed permanently or temporarily that proper fall arrest equipment is used to prevent incident or injury from falling.**

### **Step 1: (Disassembly)**

Remove the dimensional lumber from the cradle brackets for the desired section of railing. Make sure not to leave anything where it may pose a safety hazard.

After removing all dimensional lumber, remove the desired posts from their corresponding mounting plates by pulling in an upward direction.

You are now ready for material delivery!

If completely removing safety system from house continue to Step 2.

## **Step 2: (Disassembly)**

Mounting plates can be left on house or can be removed by carefully placing a pry-bar between the wall and the mounting plate, separating the plate from the wall.



For more information about SafeBild and its products visit **[www.SafeBild.com](http://www.SafeBild.com)**

Bradford, ON

### **Contact Us:**

Tel: 289-338-3119

Email: [info@safebild.com](mailto:info@safebild.com)