



# **INSTRUCTION MANUAL**

## **Adjustable Wall Post Temporary Safety System**

**Note:**

Before using this Adjustable Wall Post Temporary Safety System, carefully read through this INSTRUCTION MANUAL to ensure efficient, safe operation. It is recommended that this MANUAL be kept readily available as an important reference when using this Adjustable Wall Post Temporary Safety System.

**SAVE THESE INSTRUCTIONS**

## **LEGAL DISCLAIMER**

### **DANGER! READ BEFORE USE!**

SafeBild safety systems are designed and tested to meet the requirements of specific applications. Failure to follow the detailed installation and disassembly procedures provided within this INSTRUCTION MANUAL could result in serious injury, bodily harm, or death.

**USE ONLY THE SPECIFIED FASTENERS AND MATERIALS DESCRIBED IN THIS MANUAL.**

Since the conditions and methods of use of the product are contained within this INSTRUCTION MANUAL, SafeBild expressly disclaims any and all liability as to any incident arising from any misuse or modification of SafeBild **products, installation procedures or required fasteners and materials.**

## Installing Your SafeBild Adjustable Wall Post Temporary Safety System

SafeBilds Adjustable Wall Mount Post has been designed and tested to be installed on solid wood along open edges of work surfaces and other openings that may pose a risk of falling during construction.

Below are illustrations of the components that make up the Adjustable Wall Post Safety System.

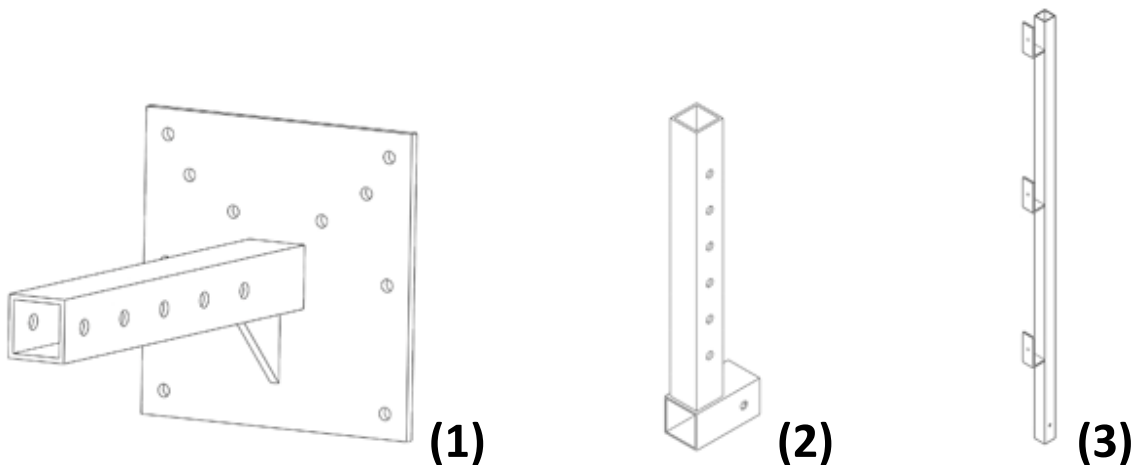


Fig 1

You will also find as part of the Adjustable Wall Post Safety System are two (2) quick pins (included).

These are used to lock the Adjustable Wall Post into the desired position.

# Installation:

## Step 1:

Mounting plate (Fig1.1) is affixed to desired surface using **Min. 2" wood screws** ensuring that the screws placed in the **Top Six (6) holes** on the mounting plate (Fig 2) are fastened into solid wood. Failure to fasten these screws into solid wood will weaken the system and no longer meets requirements.

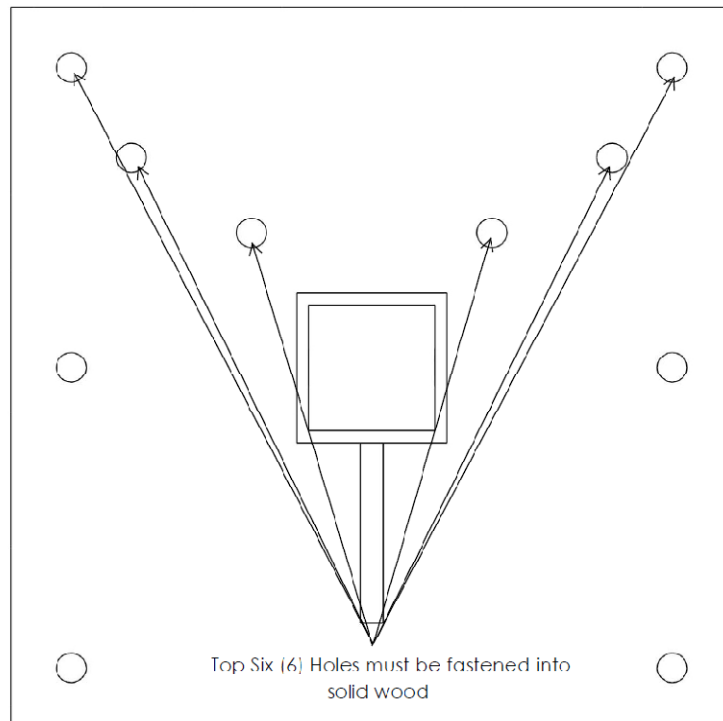


Fig 2

The Adjustable Wall Post has been designed to be installed to suit different applications. In some instances where there is minimal solid wood surface to fasten to. **AT LEAST THE TOP SIX SCREWS MUST BE FASTENED INTO SOLID WOOD OR THIS SYSTEM SHALL NOT BE INTSALLED.**

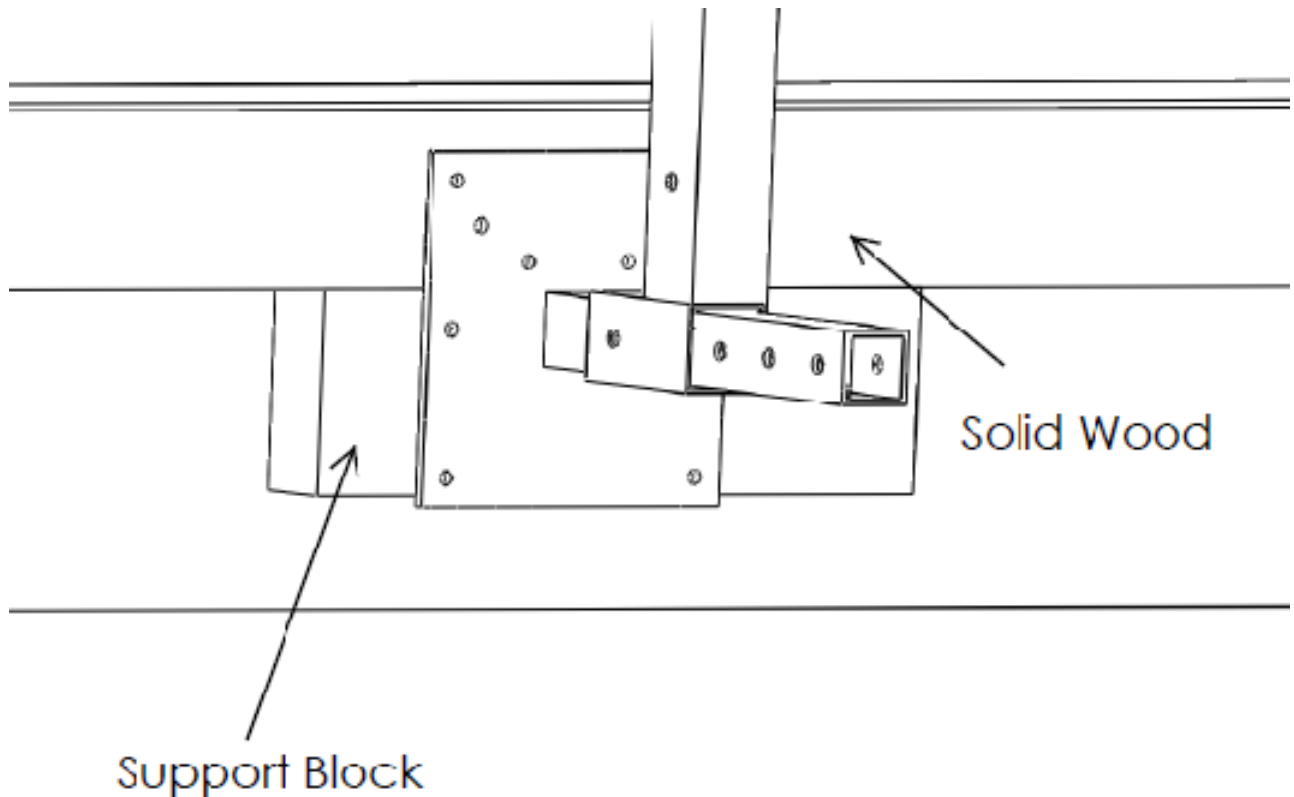


Fig 3

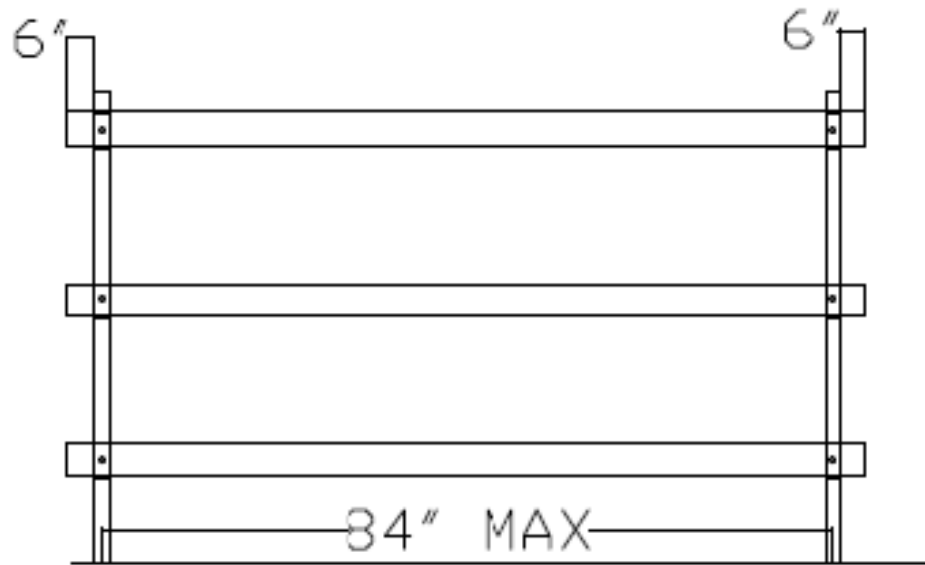
If possible, the mounting plate should always be installed on solid wood using Ten (10) 2" wood screws (Typ.).

If there is not sufficient solid wood to fasten the mounting plate, the mounting plate can be installed so that the bottom of the mounting plate overhangs the solid wood surface. This requires the installation of a **support block** which is to be fastened to the mounting plate using at least two (2) wood screws min. 1" length. (Fig 3)

Be sure that a mounting plate is installed at both ends of every open edge, as well as on **both** sides of every corner of the open edge of the work surface.

Each post shall be no more than 84" away from another post (Based on 6" overlap past post on either side of standard 2"x 4" x 8' dimensional lumber). (Fig 4)

Fig 4

**Step 2:**

Slide the Height Adjuster Bar (Fig 1.2) onto the bar located on the Mounting Plate (Fig 1.1) and lock it into the desired position using one (1) of the supplied Quick Pins. (Fig 5)

Make sure to position the Height Adjuster Bar so that when the post is installed onto it that the toe board will be situated as close to the edge of the work surface as possible.

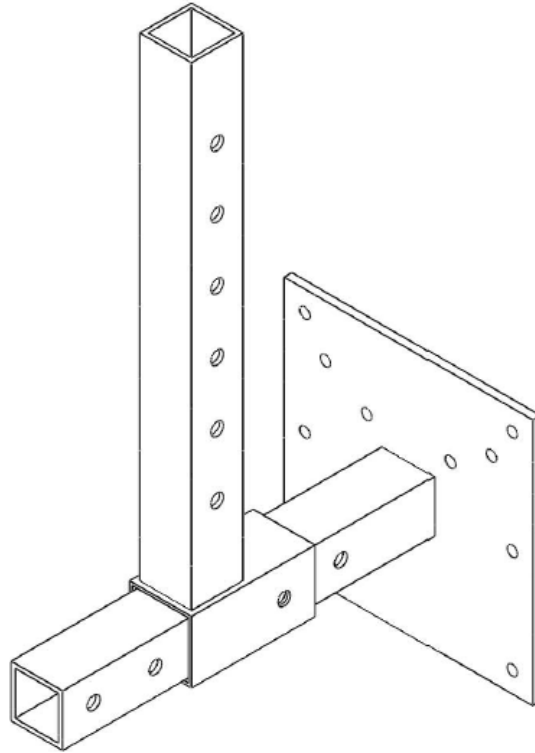


Fig 5

**Step 3:**

After the Height Adjuster Bar has been installed, slide the open end of the Post (Fig 1.3) over top of the Height Adjuster Bar and lock it into the desired position using the remaining Quick Pin. (Fig 6)

Make sure to position the Post so that the toe board will be situated as close to the edge of the work surface as possible.

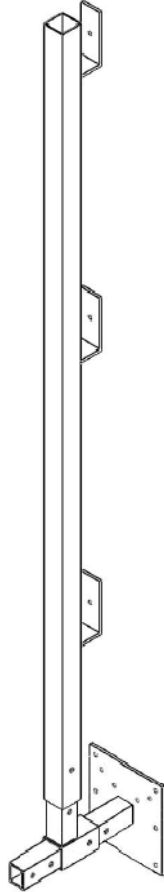


Fig 6

**Step 4:**

Insert 2"x 4"x 96" dimensional lumber or pieces of desired length into the upper cradle bracket across two (2) posts. Repeat for middle and lower cradle bracket forming a completed section of safety system. Overlap dimensional lumber at each post 6" or more. Use 2"x 4"x 6" blocks at each end post to secure the dimensional lumber in the cradle bracket. (Fig 7)

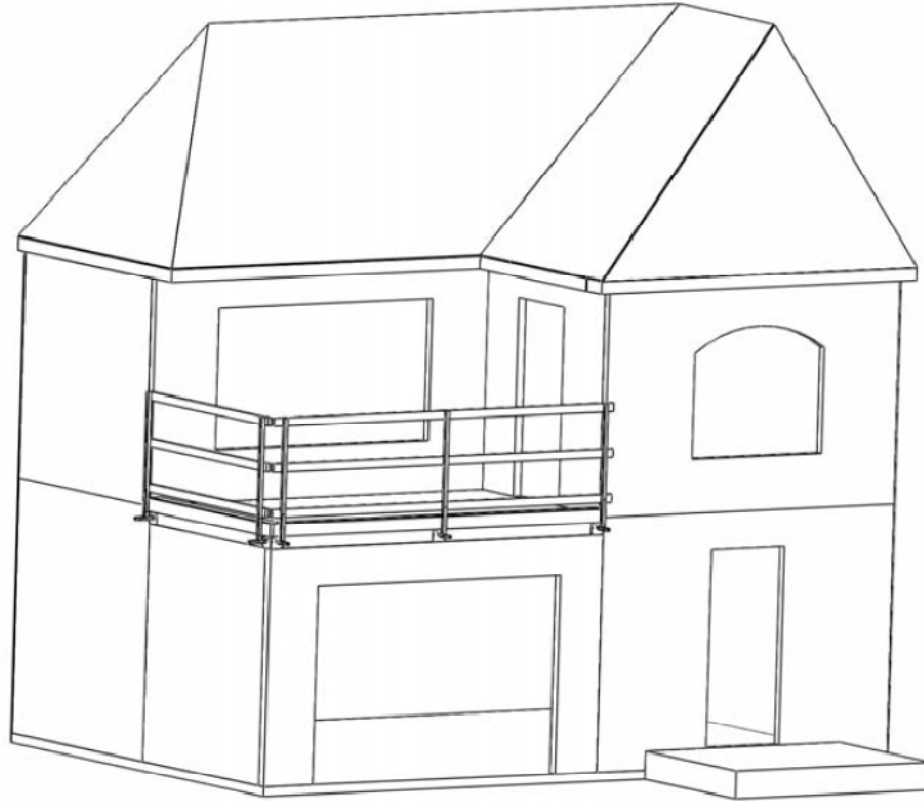


Fig 7

**Step 5:**

Fasten the wood rails to the posts using common 3” wood screws or 3” spiral nails through the holes on the cradle bracket.

**Note: Screws provide for quick disassembly.**

## Disassembly

To temporarily disassemble either system, simply disengage the desired posts from the mounting plates leaving the railing still intact and ready to be re-installed, as required, without the need of removing the mounting plates.



For more information about SafeBild and its products visit **[www.SafeBild.com](http://www.SafeBild.com)**

Bradford, ON

### Contact Us:

Tel: 289-338-3119

Email: [info@safebild.com](mailto:info@safebild.com)

©2010 SafeBild Inc.