



INSTRUCTION MANUAL

2 pc Interior Temporary Safety System

Note:

Before using this 2 pc Interior Temporary Safety System, carefully read through this INSTRUCTION MANUAL to ensure efficient, safe operation. It is recommended that this MANUAL be kept readily available as an important reference when using this 2 pc Interior Temporary Safety System.

SAVE THESE INSTRUCTIONS

LEGAL DISCLAIMER

DANGER! READ BEFORE USE!

SafeBild safety systems are designed and tested to meet the requirements of specific applications. Failure to follow the detailed installation and disassembly procedures provided within this INSTRUCTION MANUAL could result in serious injury, bodily harm, or death.

USE ONLY THE SPECIFIED FASTENERS AND MATERIALS DESCRIBED IN THIS MANUAL.

Since the conditions and methods of use of the product are contained within this INSTRUCTION MANUAL, SafeBild expressly disclaims any and all liability as to any incident arising from any misuse or modification of SafeBild **products, installation procedures or required fasteners and materials.**

Installing Your SafeBild Interior Temporary Safety System

SafeBild's 2 pc Floor Mount and Wall Mount posts have been designed and tested to be installed on minimum 5/8" T&G chip board or solid wood along open staircases and other openings that may pose a risk of falling during construction.

Both the 2pc Floor Mount and Wall Mount systems use the same interior mounting plate mounted in different configurations allowing for greater versatility.

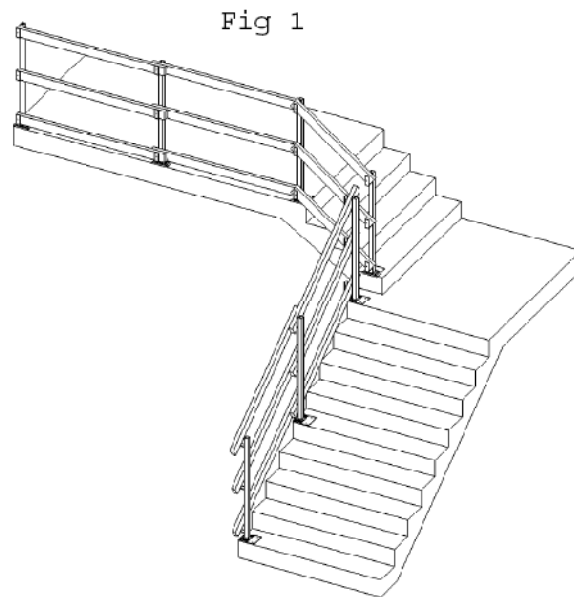
Installation:

2 pc Floor Mount Post (part no. SB2021)

Step 1:

Interior mounting plate is affixed to floor sheathing along the opening, as needed, using **eight (8) #8-1 ¼" coarse thread plywood/particle board screws** supplied by SafeBild without need of fastening into a floor joist. (See Fig 1)

The use of any fasteners other than those supplied by SafeBild for this specific application will disclaim SafeBild from any and all liability.



Be sure that a mounting plate is installed at both ends of every open edge(See Fig 2), and that each post be no more than 84" away from another post (Based on 6" overlap past post on either side of standard 2"x 4" x 8' dimensional lumber). (See Fig 3)

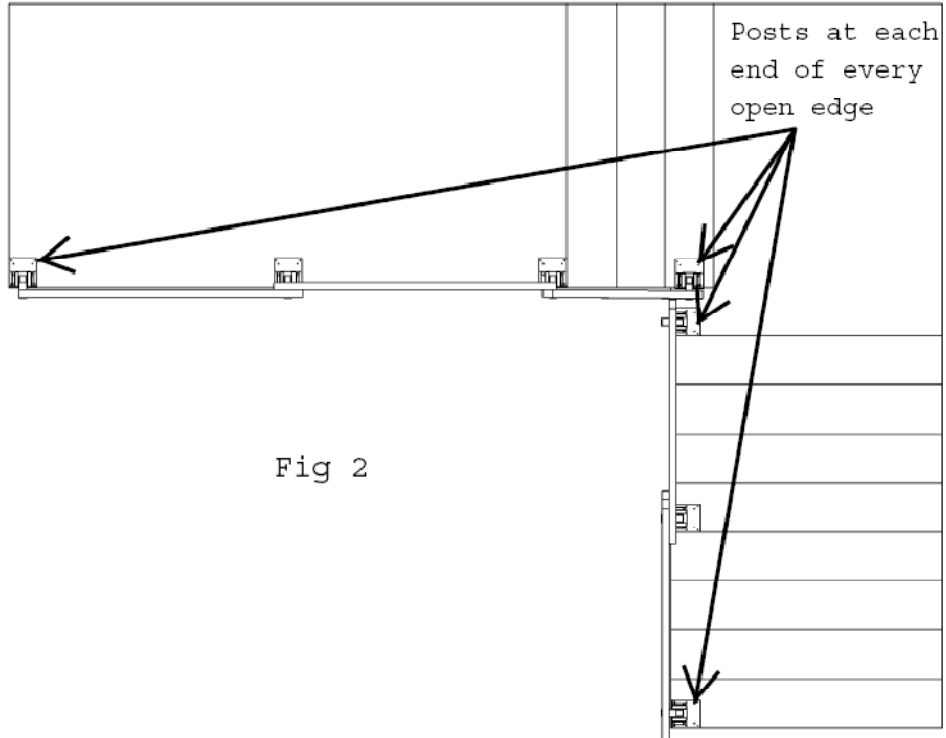
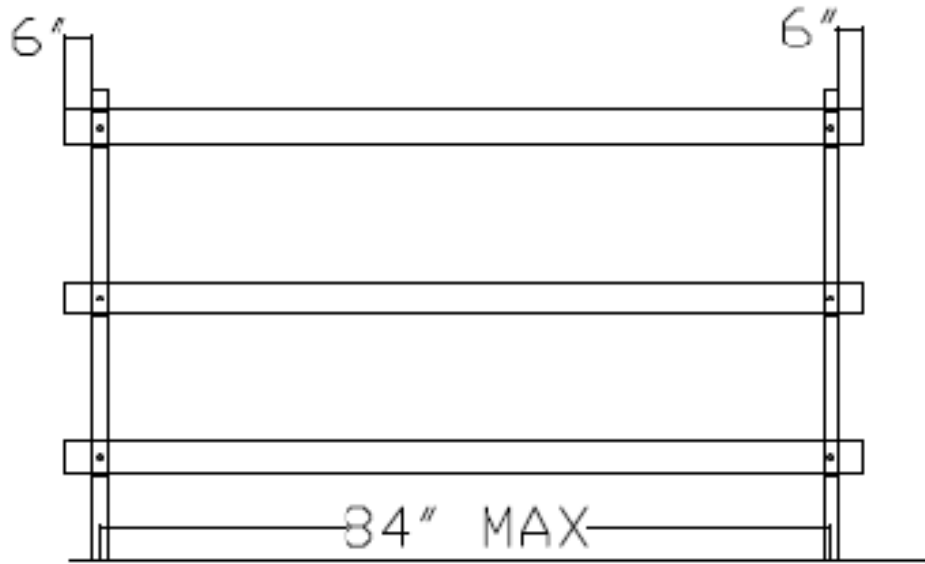


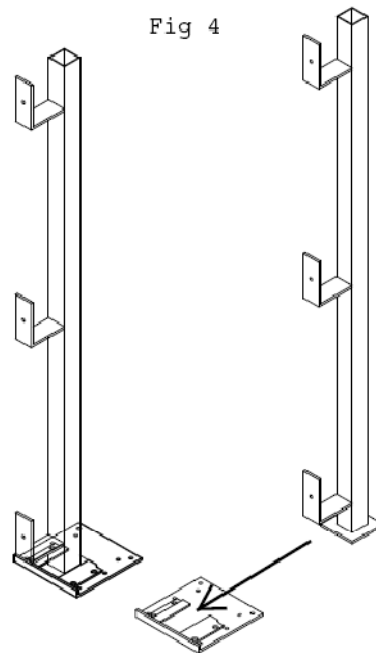
Fig 2

Fig 3



Step 2:

Engage the post into the mounting plate by sliding the mating piece on the post into the slot on the mounting plate. (See Fig 4)



Step 3:

Insert 2" x 4" x 96" dimensional lumber or pieces of desired length into the upper cradle bracket across two (2) posts. Repeat for middle and lower cradle bracket forming a completed section of safety system. Overlap dimensional lumber at each post 6" or more. Use 2" x 4" x 6" blocks at each end post to secure the dimensional lumber in the cradle bracket.

Step 4:

Fasten the wood rails to the posts using common 3” wood screws or 3” spiral nails through the holes on the cradle bracket.

Note: Screws provide for quick disassembly.

Installation:

2 pc Wall Mount Post (part no. SB2025)

BENEFITS to using the 2pc Wall Mount Post

This post, when installed, sits 1 $\frac{3}{4}$ ” away from the floor surface. This allows space for any trim to be installed, eliminating the need to remove the temporary railing until the permanent railing is installed.

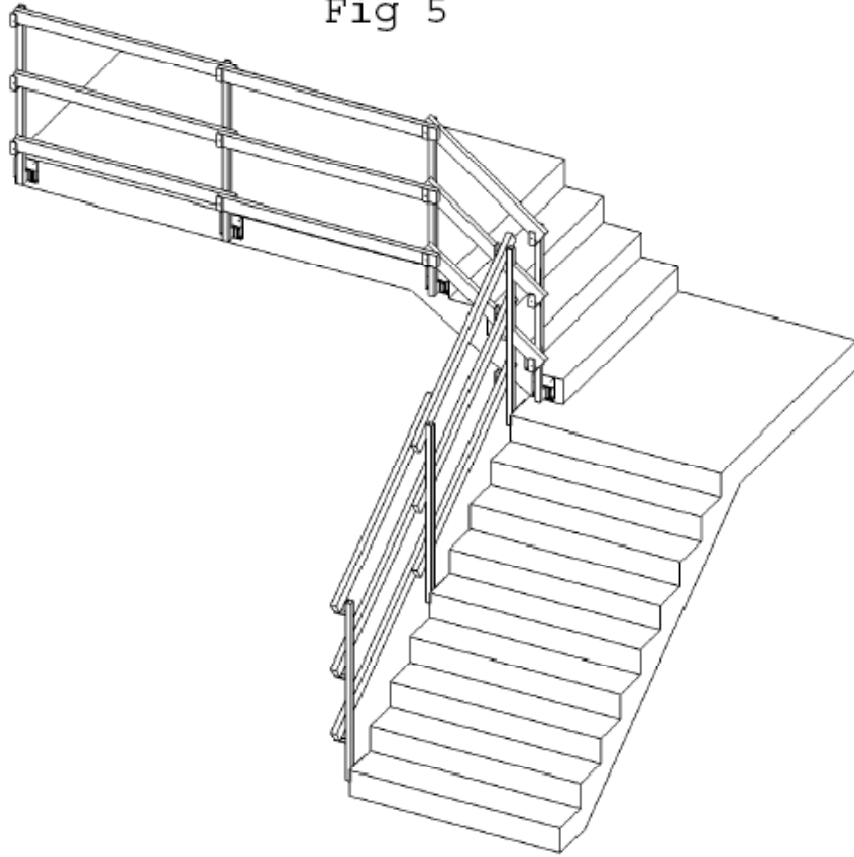
Simply affix the required piece of drywall to the header prior to installing the interior mounting plate. After removal of the railing, simply fill the small holes in the drywall.

When affixing drywall or any other material between the header and the interior mounting plate #8-3" wood screws MUST be used.

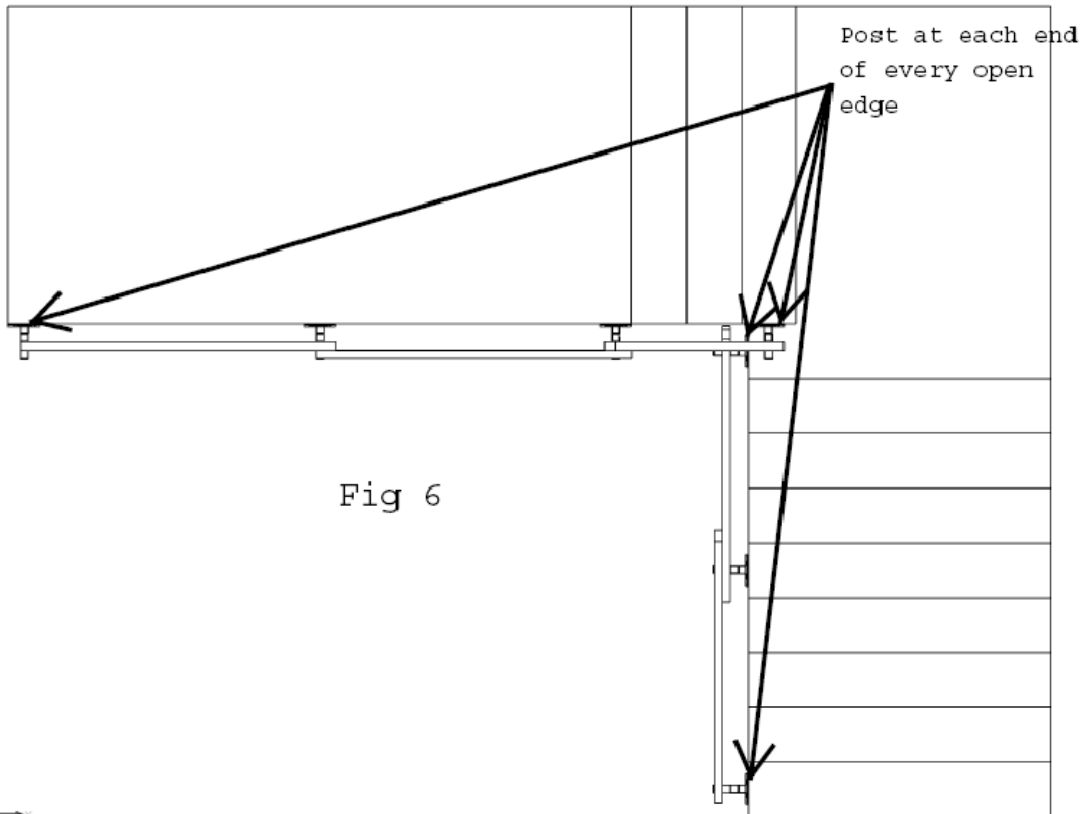
Step 1:

The interior mounting plate is affixed to the header or stairs along the opening, as needed, using eight (8) #8-1 ¼" coarse thread plywood/particle board screws supplied by SafeBild or #8-3" wood screws. (See Fig 5)

Fig 5

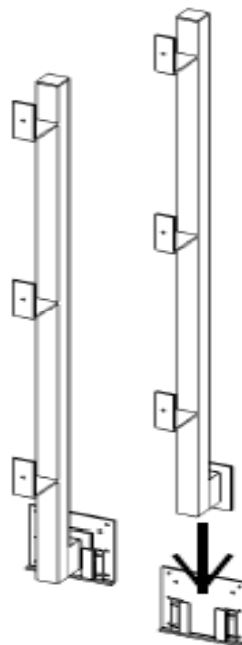


Be sure that a mounting plate is installed at both ends of every open edge (See Fig 6) and that each post be no more than 84" away from another post (Based on 6" overlap past post on either side of standard 2"x 4" x 8' dimensional lumber). (See Fig 3)

**Step 2:**

Engage the post into the mounting plate by sliding the mating piece on the post into the slot on the

Fig 7



mounting plate. (See Fig 7)

Step 3:

Insert 2"x 4"x 96" dimensional lumber or pieces of desired length into the upper cradle bracket across two (2) posts. Repeat for middle and lower cradle bracket forming a completed section of safety system. Overlap dimensional lumber at each post 6" or more. Use 2"x 4"x 6" blocks at each end post to secure the dimensional lumber in the cradle bracket.

Step 4:

Fasten the wood rails to the posts using common 3" wood screws or 3" spiral nails through the holes on the cradle bracket.

Note: Screws provide for quick disassembly.

Disassembly

To temporarily disassemble either system, simply disengage the desired posts from the mounting plates leaving the railing still intact and ready to be re-installed, as required, without the need of removing the mounting plates.



For more information about SafeBild and its products visit **www.SafeBild.com**

Bradford, ON

Contact Us:

Tel: 289-338-3119

Email: info@safebild.com

©2009 SafeBild Inc.